

»multifix« series

Centrifugal separators with a sintered filter element.

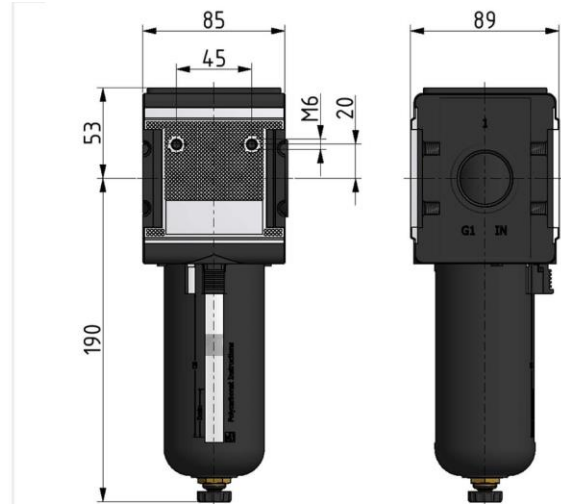
Max. medium temperature: 60 °C
 Max. ambient temperature: 60 °C
 Drain vale: Semi-automatic
 Flow rate measurement: At $P_1 = 6$ bar and pressure drop $\Delta p = 1$ bar

Filter with polycarbonate bowl and bowl guard

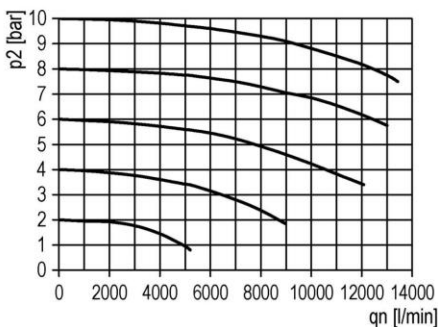
Art. No.	Type No.	Thread	Max. input pressure bar	Housing	Filter rating μm	Flow rate l/min	Size	DN
133111	F 44 S	G 3/4	16	Die-cast aluminium	5	8000	4	20

Accessories / spare parts

Art. No.	Type No.	Description
135858	ZW 45	Mounting bracket with 2 screws
135857	KP 45	Coupler pack for modular assembly of several devices
135859	KSS 45 F-HA	Polycarbonate bowl, Bowl guard with semi-automatic draining
135860	KSS 45 F-A	Polycarbonate bowl, Bowl guard with fully automatic draining
135861	MS 45 FS	Metal bowl with sight glass and semi-automatic draining
135862	MS 45 FS-A	Metal bowl with sight glass and fully automatic draining
100362	655.6.900	Automatic drain valve
100144	6141.6.905	Filter element 5 μm , cellpor



flow characteristic



symbol

